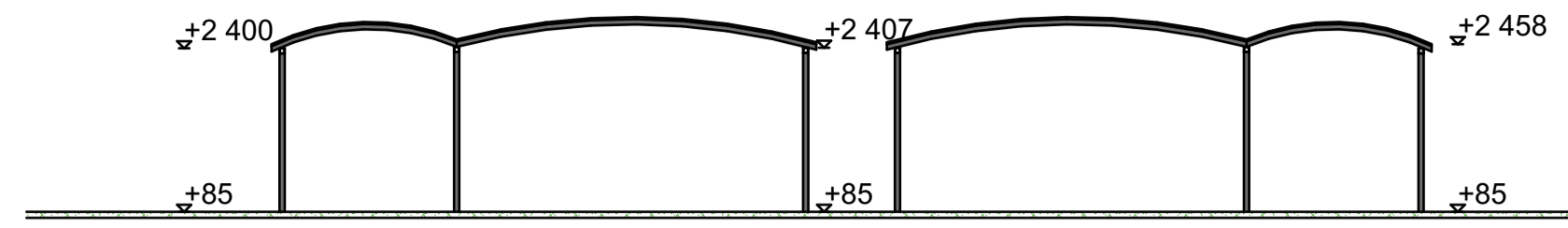


**COLUMN TO ROOF DETAIL**

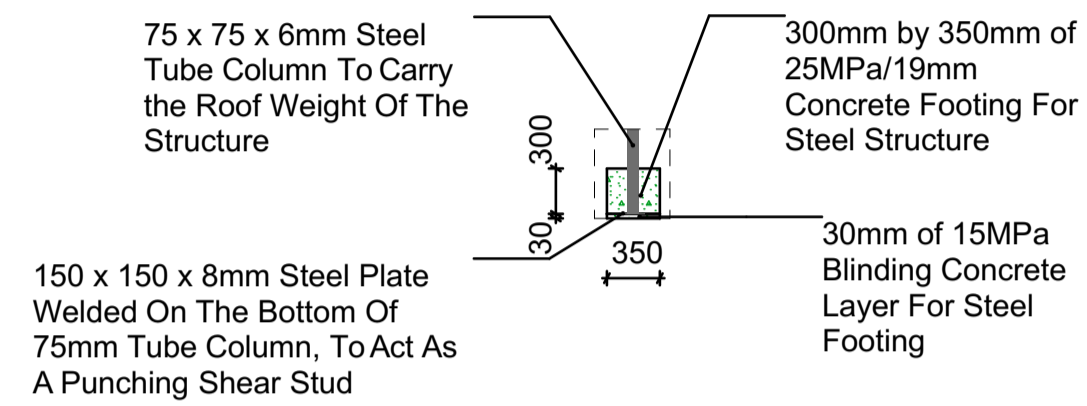


**SOUTH ELEVATION**  
SCALE 1:100

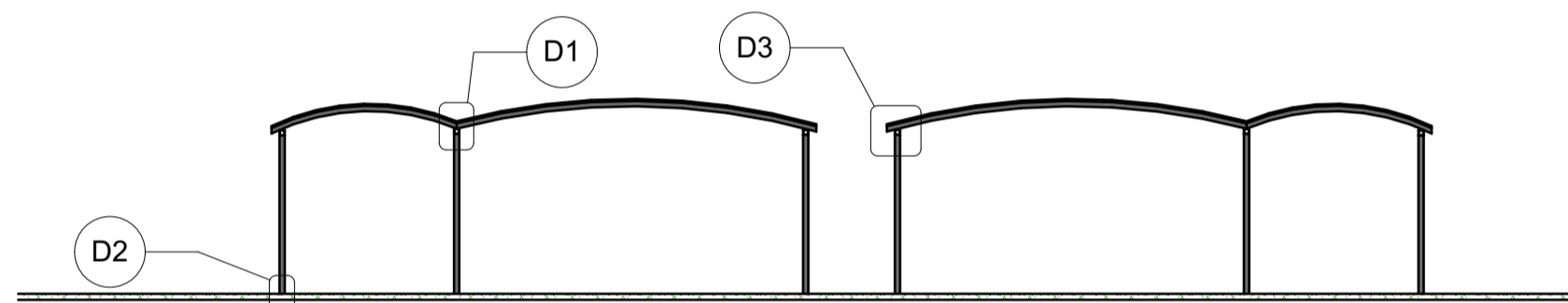


**EAST ELEVATION**  
SCALE 1:100

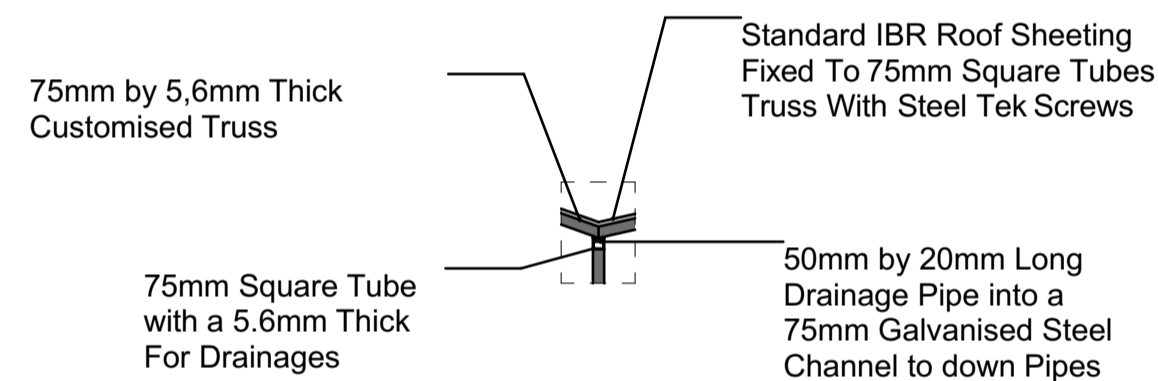
**WEST ELEVATION**  
SCALE 1:100



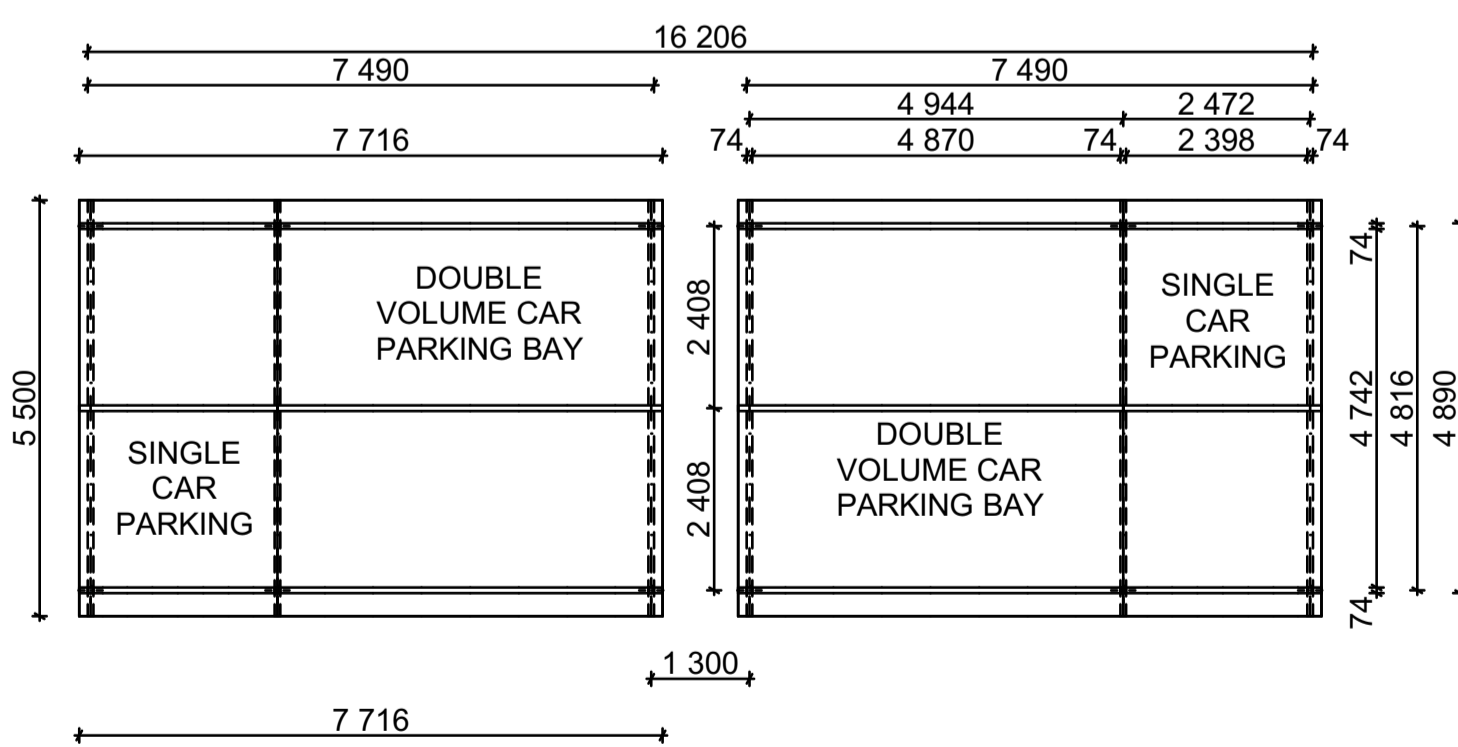
**CONCRETE FOOTING FOR STEEL STRUCTURE**



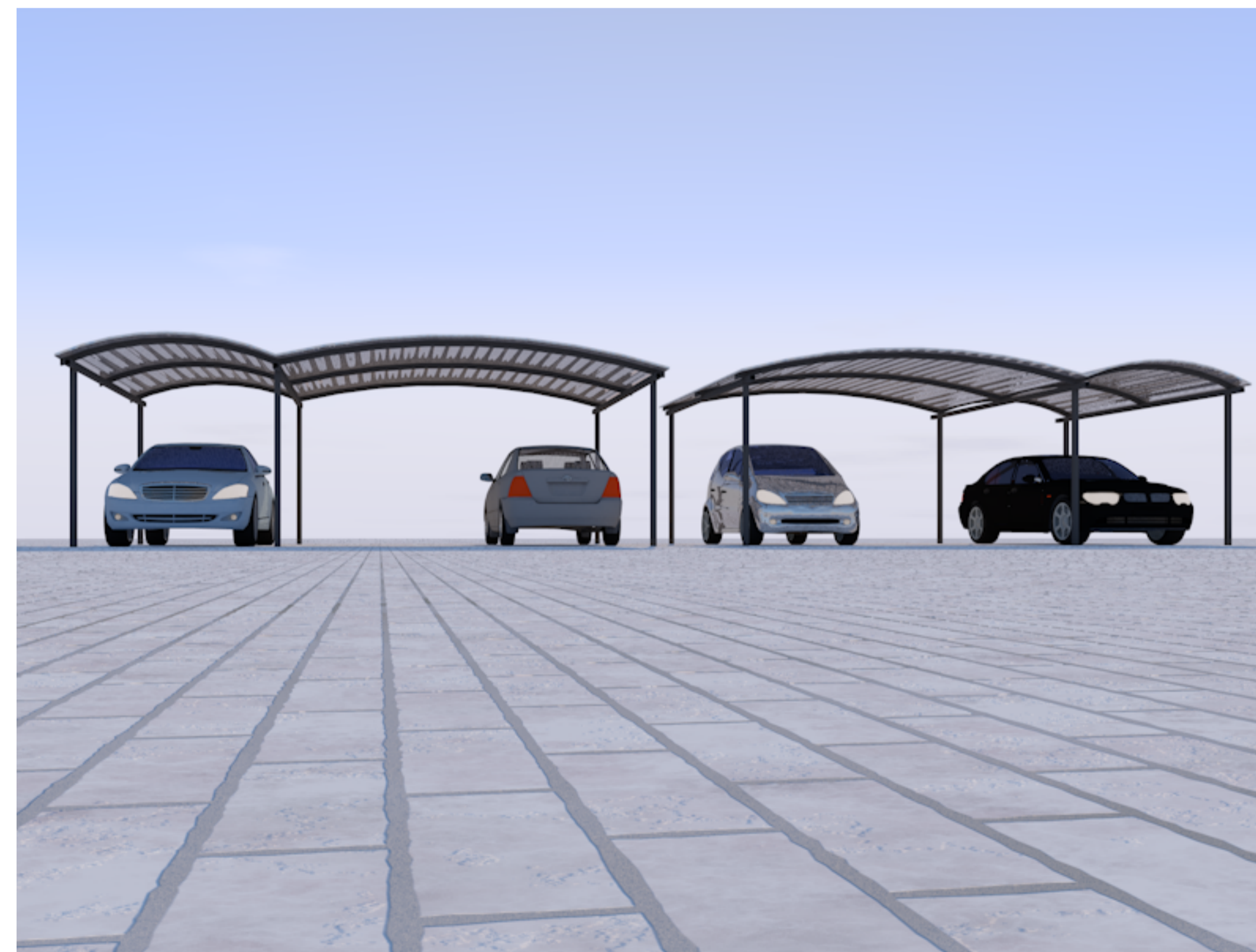
**NORTH ELEVATION**  
SCALE 1:100



**ROOF GULLY INTERSECTION**



**FLOOR PLAN**  
1:100



DRAWING LIST	002	ISSUED FOR CONSTRUCTION	A	10.06.2022	E	E	DRAWN	K. RAMATHUTHU	10.06.2022
GENERAL NOTES							CHECKED	E. NKOBANI	2019300427
							PR ENGINEER		
							PR TECH ENG	E. NKOBANI	2019300427
TITLE	DRG. No	DETAIL	MARK	DATE	INIT	APP'D	CLIENT PROJECT MANAGER	M. JWARA	
REFERENCE DRAWINGS									
		REVISIONS							
BUSINESS UNIT: INFRASTRUCTURE PROJECT: BSC CARPORTS REFURBISHMENT DRAWING TITLE: BSC CARPORTS									REV 0